



Technical Bulletin #1836

Transmission: 45/545/65/66/68RFE

Subject: Transmission Range Switch (TRS) Plate ID

Application: Dodge

Issue Date: January, 2018

45/545/65/66/68RFE Transmission Range Switch (TRS) Plate ID

The Dodge RFE series transmissions have gone through some solenoid pack changes and also the TRS plate. We are going to identify the parts first.

1999-2003 45/545RFE

This TRS plate fits only the black connector solenoid. It is recommended to upgrade to white solenoid and the type 2 TRS plate.

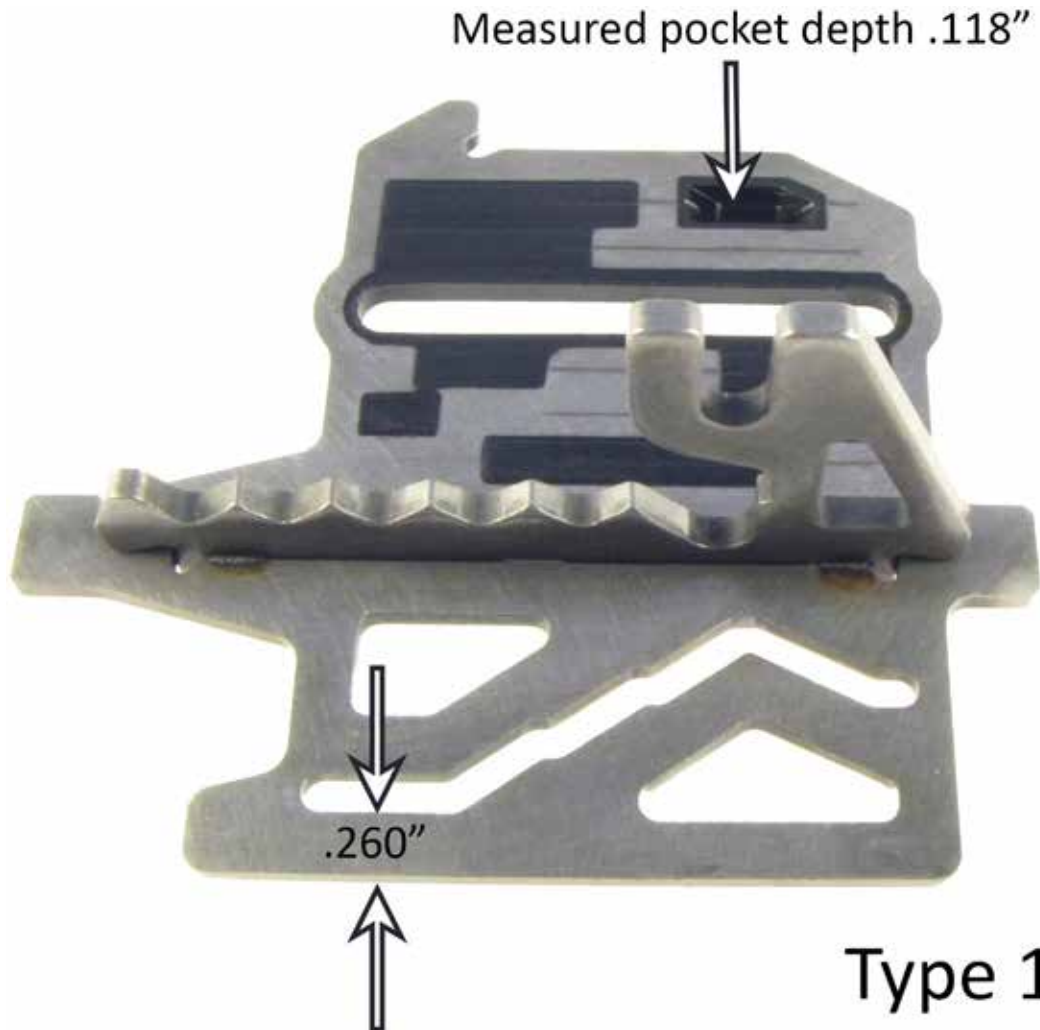


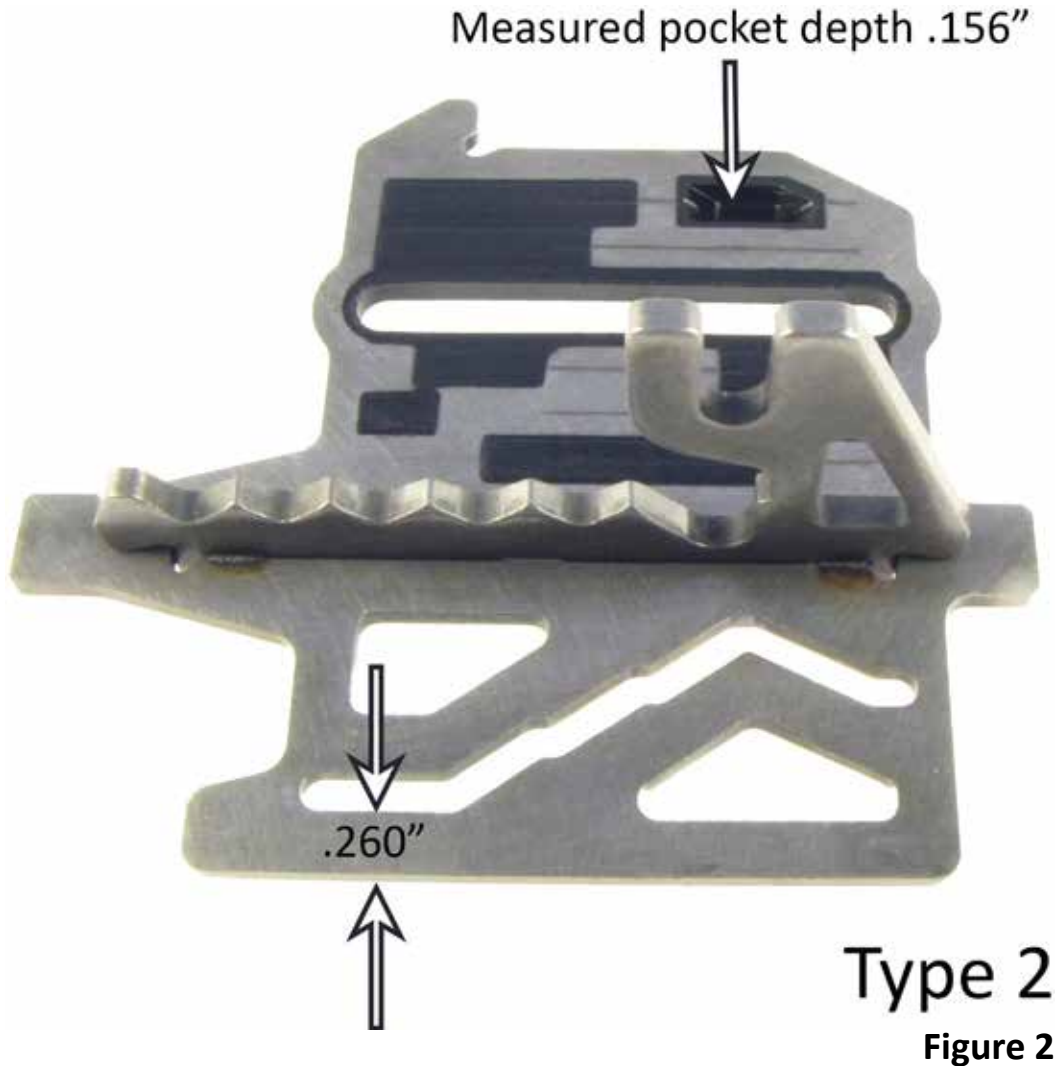
Figure 1

45/545/65/66/68RFE Transmission Range Switch (TRS) Plate ID

#1836

1999-2009 with a WHITE Connector Solenoid

Measure pocket depth is .156" (deeper pocket than type 1) and the measure of the side of the manual valve slot is .260".



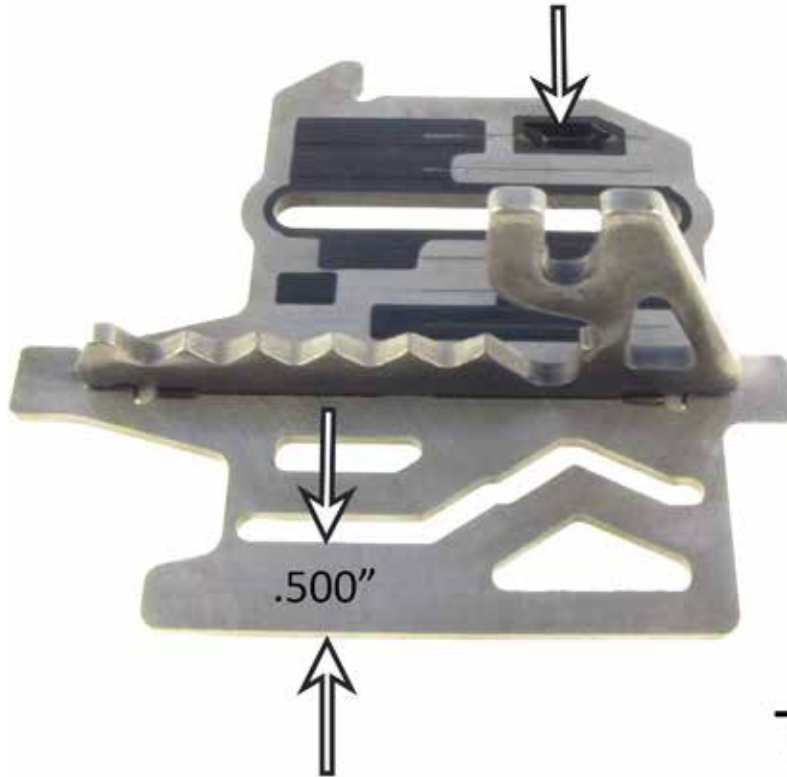
Note: Type 2 TRS plate has shifter positions PRND21. 2009 - up will fit WHITE or GRAY solenoid with shifter positions PRND21.

#1836

45/545/65/66/68RFE Transmission Range Switch (TRS) Plate ID

Measure pocket depth is .156" and measure the side of the manual valve slot is around .500" (slot is farther away from the side).

Measured depth pocket .156"



Type 3
Figure 3

Note: Type 3 TRS plate has shifter positions P R N D only. No manual 2nd or 1st. The type 3 will fit the gray or white solenoid but has to have only P R N D shifter positions.

We have seen 65RFE, 66RFE, 68RFE with either type 2 or type 3. There is no set year change or cannot go by the color of solenoid connector.

45/545/65/66/68RFE
Transmission Range Switch (TRS) Plate ID

#1836

Black solenoid base gasket. Fits Black only.

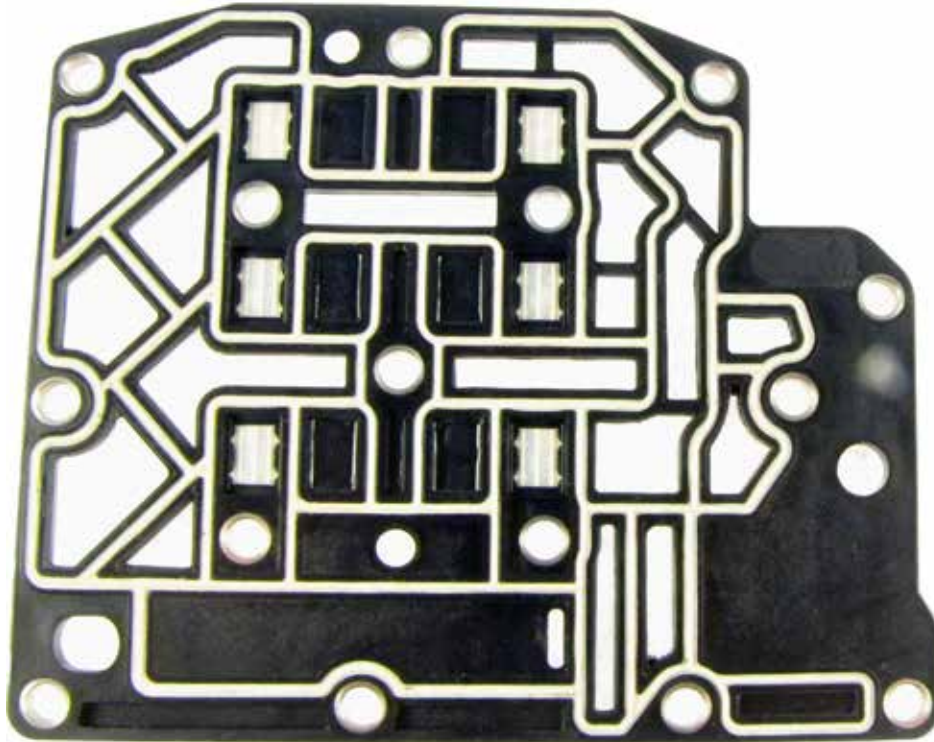


Figure 4

#1836

**45/545/65/66/68RFE
Transmission Range Switch (TRS) Plate ID**

White and gray solenoid gasket does not work on black solenoid.

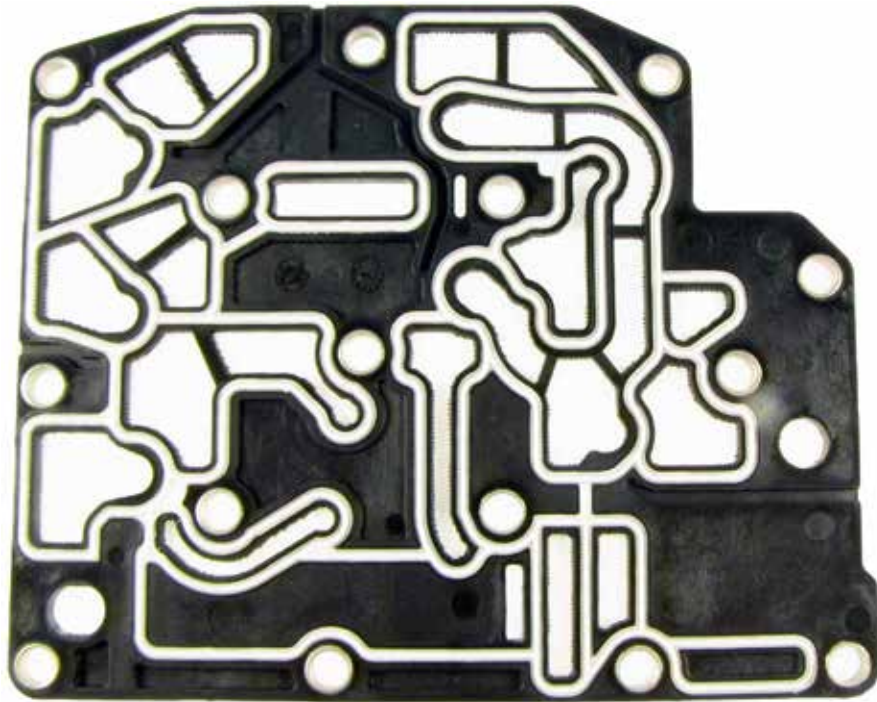


Figure 5

45/545/65/66/68RFE Transmission Range Switch (TRS) Plate ID

#1836

Black solenoid: Requires Type 1 TRS plate, black solenoid gasket should be replaced with white type solenoid and type 2 TRS and correct gasket.



Figure 6

#1836

45/545/65/66/68RFE Transmission Range Switch (TRS) Plate ID

White solenoid can replace black solenoid when used with type 2 TRS. The white solenoid can also replace the gray solenoid, just make sure to get the right TRS plate, type 2 or type 3.



Figure 7



Figure 8